



Janisol HI doors

Expansion of the product range
85 mm leaf and wrap-around door frame profiles

JANSEN

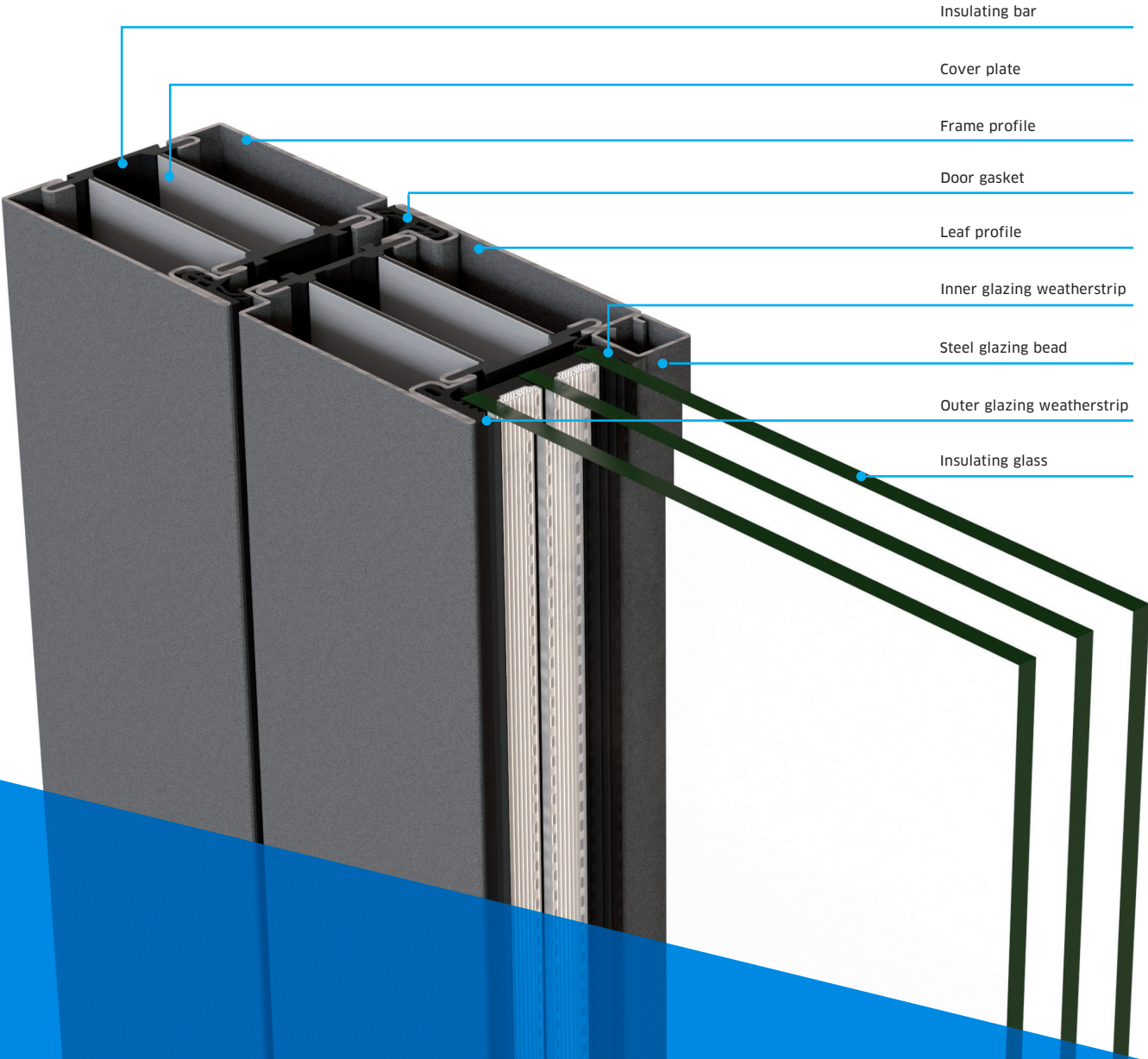
More design possibilities – more variability

Janisol HI doors

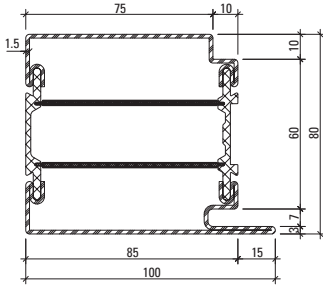
The three new profiles that are being added to the Janisol HI product range are expanding the architectural design options. The inclusion of these profiles has resulted in the omission from the product range of the complex frame extensions that help to mimic the aesthetics of other systems. The production costs for locks with increased backset are also significantly lower, as these can be installed directly without the need for additional milling. Thanks to the wider wrap-around door

frame, the door leaf can be opened to an angle of 90° without the door handle hitting the wall. A screw connection directly through the profile lugs ensures that the profiles are best suited for a structural attachment or fixed glazing.

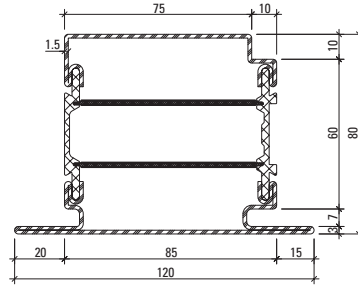
More variable, more individual and more efficient – Janisol HI 85 mm profiles.



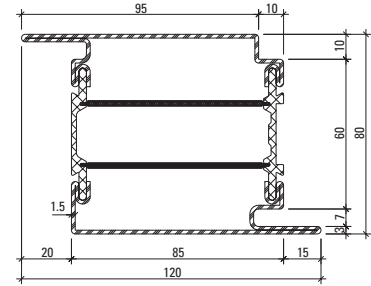
Profile overview



680.016 Z

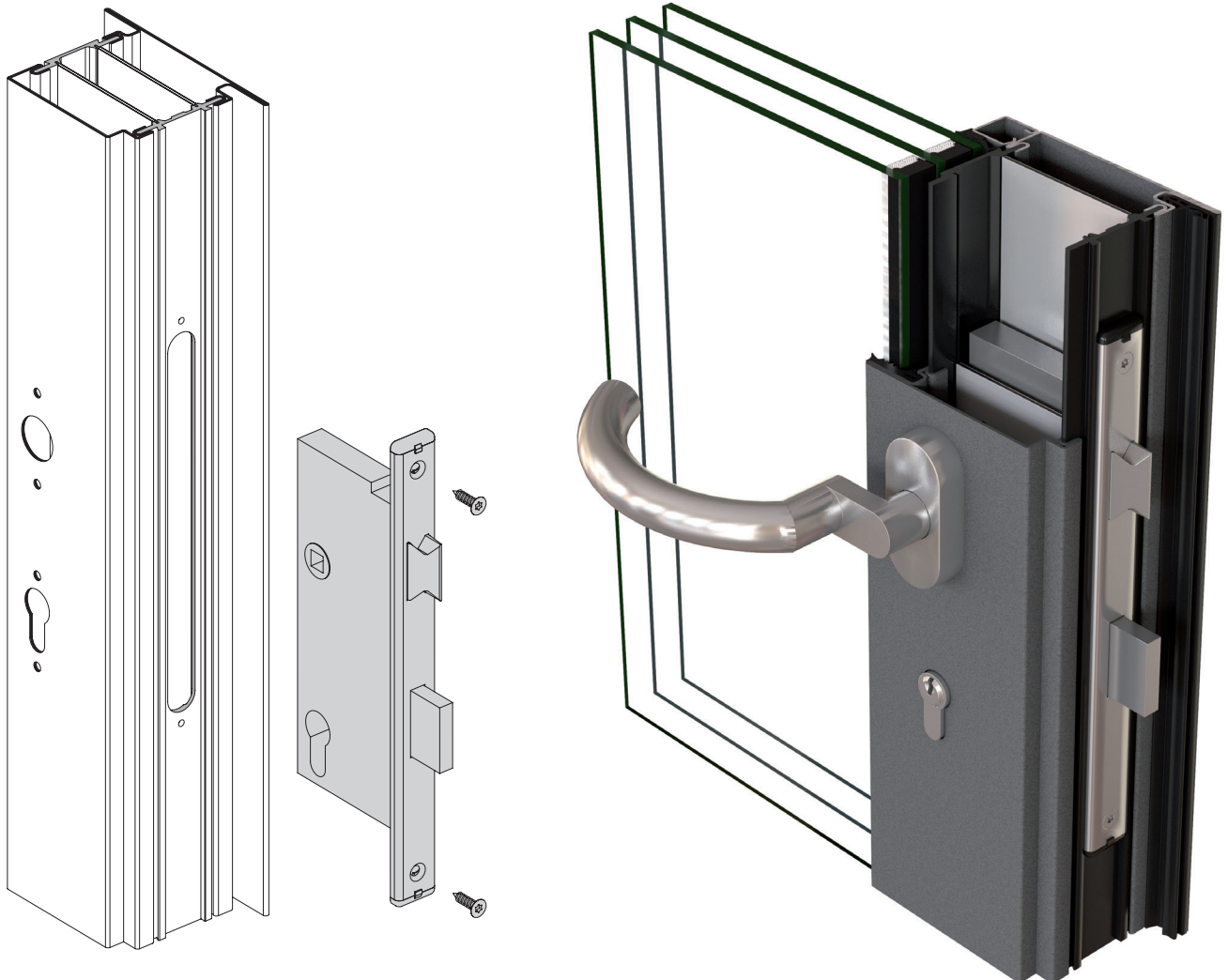


680.115 Z



680.417 Z

Locks with increased backset



If there are any differences between this document and the current German version (item number K1202588), the latest version of the original German text in the Jansen Docu Center shall prevail.

K1202589 | Steel Systems | 10.2020 | 05.2020 | Subject to change

Jansen AG

Steel Systems
Industriestrasse 34
9463 Oberriet
Schweiz
jansen.com

JANSEN